



D8oS-7

Mast type	Maximum Fork Height	Maximum Lowered Height	Fully Extended Height	Free Lift	Rated Load Capacities			
					D8oS-7			
					With Load Backrest	With Load Backrest	Tilt Angle	Load Capacities
							Double Pneumatic	Double Pneumatic
FWD	BWD	LC600mm						
	mm	mm	mm	mm	deg	deg	kg	
STD	3,100	2,835	4,375	215	15	10	8,000	
	3,300	2,935	4,575	215	15	10	8,000	
	3,600	3,085	4,875	215	15	10	8,000	
	4,100	3,435	5,375	215	15	10	8,000	
	4,600	3,685	5,875	215	15	10	8,000	
	5,100	3,935	6,375	215	15	10	8,000	
	5,600	4,185	6,875	215	15	10	8,000	
FFT	4,350	2,630	5,625	1,420	15	10	8,000	
	4,800	2,780	6,075	1,570	15	10	8,000	
	5,400	2,980	6,675	1,770	15	10	8,000	
	5,850	3,130	7,125	1,920	15	10	7,900	

D9oS-7

Mast type	Maximum Fork Height	Maximum Lowered Height	Fully Extended Height	Free Lift	Rated Load Capacities			
					D9oS-7			
					With Load Backrest	With Load Backrest	Tilt Angle	Load Capacities
							Double Pneumatic	Double Pneumatic
FWD	BWD	LC600mm						
	mm	mm	mm	mm	deg	deg	kg	
STD	3,100	2,835	4,375	215	15	10	9,000	
	3,300	2,935	4,575	215	15	10	9,000	
	3,600	3,085	4,875	215	15	10	9,000	
	4,100	3,435	5,375	215	15	10	9,000	
	4,600	3,685	5,875	215	15	10	9,000	
	5,100	3,935	6,375	215	15	10	9,000	
	5,600	4,185	6,875	215	15	10	9,000	
FFT	4,350	2,630	5,625	1,420	15	10	9,000	
	4,800	2,780	6,075	1,570	15	10	9,000	
	5,400	2,980	6,675	1,770	15	10	9,000	
	5,850	3,130	7,125	1,920	15	10	8,850	

Note : Mast Specifications & Rated Capacities are based on standard chassis with dual pneumatic tire and without side shifter.

7er- Series Forklifts
Diesel 6.0 to 9.0 t
 Euro Stage IIIB / Euro Stage IV



EUD7oS7-180709V5EN (July 2018)



Doosan Industrial Vehicle Europe nv
 Europark-Noord 36A
 9100 Sint-Niklaas
 Belgium
 Tel.: +32 3 760 09 87
 Fax: +32 3 760 09 89
 Website: www.doosan-iv.eu

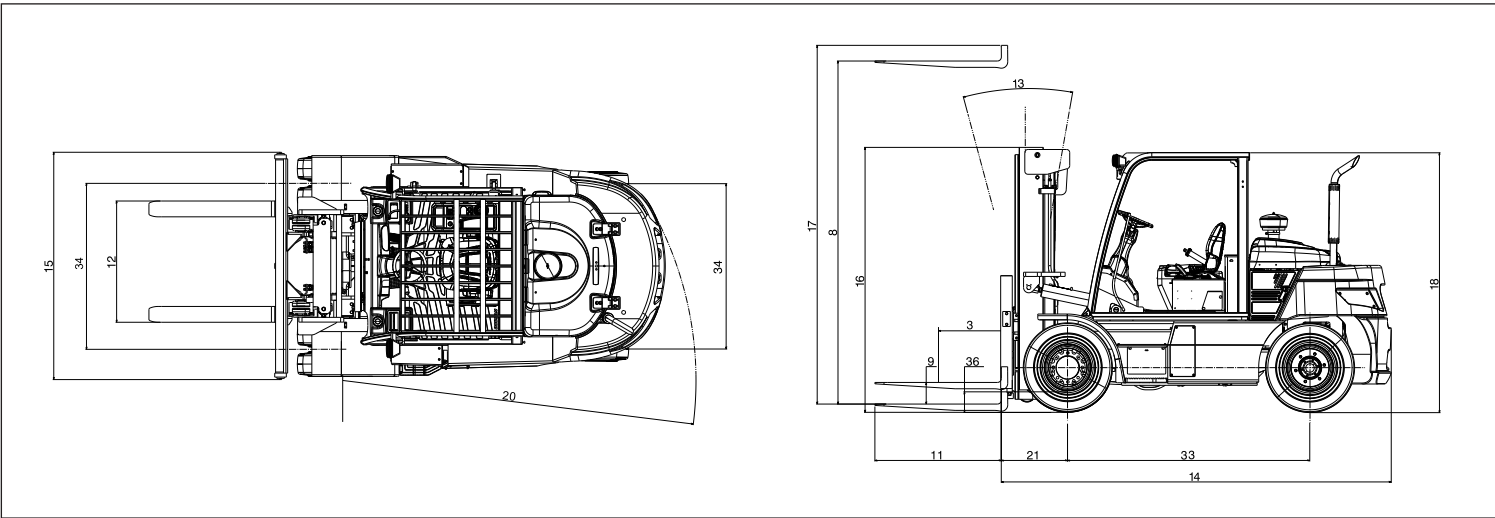
AUTHORIZED DEALER

Lifting Your Dreams

Technical Data according to VDI 2198

Characteristics	1.1	Manufacturer			Doosan	Doosan	Doosan	Doosan		
	1.2	Model			D6oS-7	D7oS-7	D8oS-7	D9oS-7		
	1.3	Drive			diesel	diesel	diesel	diesel		
	1.4	Operator type			seated	seated	seated	seated		
	1.5	Load Capacity	Q	kg	6,000	7,000	8,000	9,000		
	1.6	Load Center	c	mm	600	600	600	600		
	1.8	Load Distance: Center of Drive axle to fork	x	mm	632	632	725	725		
	1.9	Wheelbase	y	mm	2,300	2,300	2,500	2,500		
	Weight	2.1	Service weight		kg	8,940	9,093	9,630	9,783	11,625
2.2		Axle Loading. loaded. front/rear		kg	13,285/1,655	13,416/1,677	14,655/1,975	14,786/1,997	17,335/2,290	18,785/2,490
2.3		Axle Loading. unloaded. front/rear		kg	4,050/4,890	4,181/4,912	3,900/5,730	4,031/5,752	5,095/6,530	5,015/7,260
Tyres	3.1	Tyres: pneumatic (P). solid (E)			P/E	P/E	P/E	P/E		
	3.2	Tyre size. Front			8,25x15-14PR	8,25x15-14PR	9,00x20-14PR	9,00x20-14PR		
	3.3	Tyre size. Rear			8,25x15-14PR	8,25x15-14PR	9,00x20-14PR	9,00x20-14PR		
	3.5	Wheels. number Front/Rear (x = driven wheels)			4x/2	4x/2	4x/2	4x/2		
	3.6	Tread. Front	b11	mm	1,584	1,584	1,668	1,668		
	3.7	Tread. Rear	b12	mm	1,550	1,550	1,750	1,750		
	Dimensions	4.1	Tilt of Mast/Fork carriage Forward/Backward	α/β	°	15/10	15/10	15/10	15/10	
4.2		Height. Mast lowered	h1	mm	2,495	2,495	2,835	2,835		
4.3		Free Lift	h2	mm	205	205	215	215		
4.4		Maximum Fork Height	h3	mm	3,000	3,000	3,100	3,100		
4.5		Height. Mast Extended	h4	mm	4,340	4,340	4,375	4,375		
4.7		Height of Overhead Guard (Cabin)	h6	mm	2,468/ 2,535	2,468 (2,535)	2,673 (2,771)	2,637 (2,771)		
4.8		Height of Seat	h7	mm	1,455	1,455	1,526	1,526		
4.19		Overall Length	l1	mm	4,818	4,818	5,214	5,240		
4.20		Length to Forkface	l2	mm	3,618	3,697	4,014	4,040		
4.21		Overall Width	b1/b2	mm	2,108	2,108	2,230	2,230		
4.22		Fork Dimensions	s/e/l	mm	60x180x1,200	60x180x1,200	70x180x1,200	70x180x1,200		
4.23		Fork carriage ISO 2328. class/type A.B			IV	IV	V	V		
4.24		Fork carriage width	b3	mm	2,156	2,156	2,156	2,156		
4.31		Ground Clearance. loaded. below mast	m1	mm	196	196	258	258		
4.32		Ground Clearance. center of wheelbase	m2	mm	225	225	329	329		
4.34.1		Aisle width for pallets 1.000 x 1.200 crossways	Ast	mm	5,212	5,262	5,575	2,605		
4.34.2		Aisle width for pallets 800 x 1.200 lengthways	Ast	mm	5,412	5,462	5,775	5,805		
4.35	External Turning Radius	Wa	mm	3,380	3,430	3,650	3,680			
4.36	Internal Turning Radius	b13	mm	1,279	1,279	1,432	1,432			
Performance data	5.1	Travel Speed. loaded/unloaded		km/h	23.0/25,0	30/33.6	22.6	29.1/33.3	30.9/36,5	30.2/36.4
	5.2	Lift Speed. loaded/unloaded		m/s	0.4/0,43	0.48/0.54	0.38/0.43	0.43/0.47	0.42/0.47	0.41/0.47
	5.3	Lowering Speed. loaded/unloaded		m/s	0.50/0.45	0.50/0.45	0.50/0.45	0.50/0.45	0.50/0.45	0.50/0.45
	5.5	Drawbar pull. loaded (@ 1.6km/h)		N	4,668	6,196	4630	6,153	5,768	5,754
	5.7	Gradeability. loaded (@ 1.6km/h)		%	33,1	45	28,8	39	31	28
	5.10	Service Brake			disc	disc	disc	disc	disc	disc
Combustion Engine	7.1	Engine Manufacturer/ type			Doosan D34 NAP	Doosan D34P	Doosan D34 NAP	Doosan D34P	Doosan D34P	Doosan D34P
		Transmission Type			power shift	full auto shift	power shift	full auto shift	full auto shift	full auto shift
		Number of speed transmission forward/reverse			2/2	3/3	3/3	2/2	3/3	3/3
	7.2	Engine power according to DIN ISO1585		kW	55.0	80.9	55.0	80.9	80.9	80.9
	7.3	Rated Speed		min-1	2,300	2,300	2,300	2,300	2,300	2,300
	7.3.1	Maximum Torque		Nm/rpm	330/1,400	375/1600	330/1,400	375/1600	375/1,600	375/1,600
	7.4	Number of Cylinders/Displacement		-/cm3	4/3,409	4/3,409	4/4/3,409	4/4/3,409	4/4/3,409	4/4/3,409
7.10	Battery Voltage/normal capacity		V/Ah	24/75	24/75	24/75	24/75	24/75	24/75	
Add. Data	10.1	Operating pressure for attachments		bar	140	140	140	140	140	

DIMENSIONAL DRAWING



MAST SPECIFICATIONS and RATED CAPACITIES

D6oS-7

Mast type	Maximum Fork Height	Maximum Lowered Height	Fully Extended Height	Free Lift	Rated Load Capacities		
					D6oS-7		
					Tilt Angle		Load Capacities
					Double Pneumatic		Double Pneumatic
					FWD	BWD	LC600mm
	mm	mm	mm	mm	deg	deg	kg
STD	3,000	2,495	4,275	205	15	10	6,000
	3,500	2,745	4,775	205	15	10	6,000
	3,700	2,845	4,975	205	15	10	6,000
	4,000	2,995	5,275	205	15	10	6,000
	4,500	3,345	5,775	205	15	10	6,000
	5,000	3,595	6,275	205	15	10	6,000
	5,500	3,845	6,775	205	15	10	5,875
FFT	4,550	2,540	5,570	1,580	15	10	5,900
	5,000	2,690	6,020	1,730	15	10	5,725
	5,600	2,890	6,620	1,930	15	10	5,500
	6,050	3,040	7,070	2,080	15	10	5,300

D7oS-7

Mast type	Maximum Fork Height	Maximum Lowered Height	Fully Extended Height	Free Lift	Rated Load Capacities		
					D7oS-7		
					Tilt Angle		Load Capacities
					Double Pneumatic		Double Pneumatic
					FWD	BWD	LC600mm
	mm	mm	mm	mm	deg	deg	kg
STD	3,000	2,495	4,275	205	15	10	7,000
	3,500	2,745	4,775	205	15	10	7,000
	3,700	2,845	4,975	205	15	10	7,000
	4,000	2,995	5,275	205	15	10	7,000
	4,500	3,345	5,775	205	15	10	7,000
	5,000	3,595	6,275	205	15	10	7,000
	5,500	3,845	6,775	205	15	10	7,000
FFT	4,550	2,540	5,570	1,580	15	10	7,000
	5,000	2,690	6,020	1,730	15	10	7,000
	5,600	2,890	6,620	1,930	15	10	6,725
	6,050	3,040	7,070	2,080	15	10	6,500

Note : Mast Specifications & Rated Capacities are based on standard chassis with dual pneumatic tire, without side shifter and shaft type carriage.

Note : Specification values quoted in this specification sheet have been rounded. Performance may vary due to operation conditions. Products and specifications are subject to improvement and change without prior notices.