



7-Series Forklifts

Electric 2.0 to 3.2 ton capacity - Cushion Tires

BC20S/BC25S/BC25SE/BC30S/BC32S-7



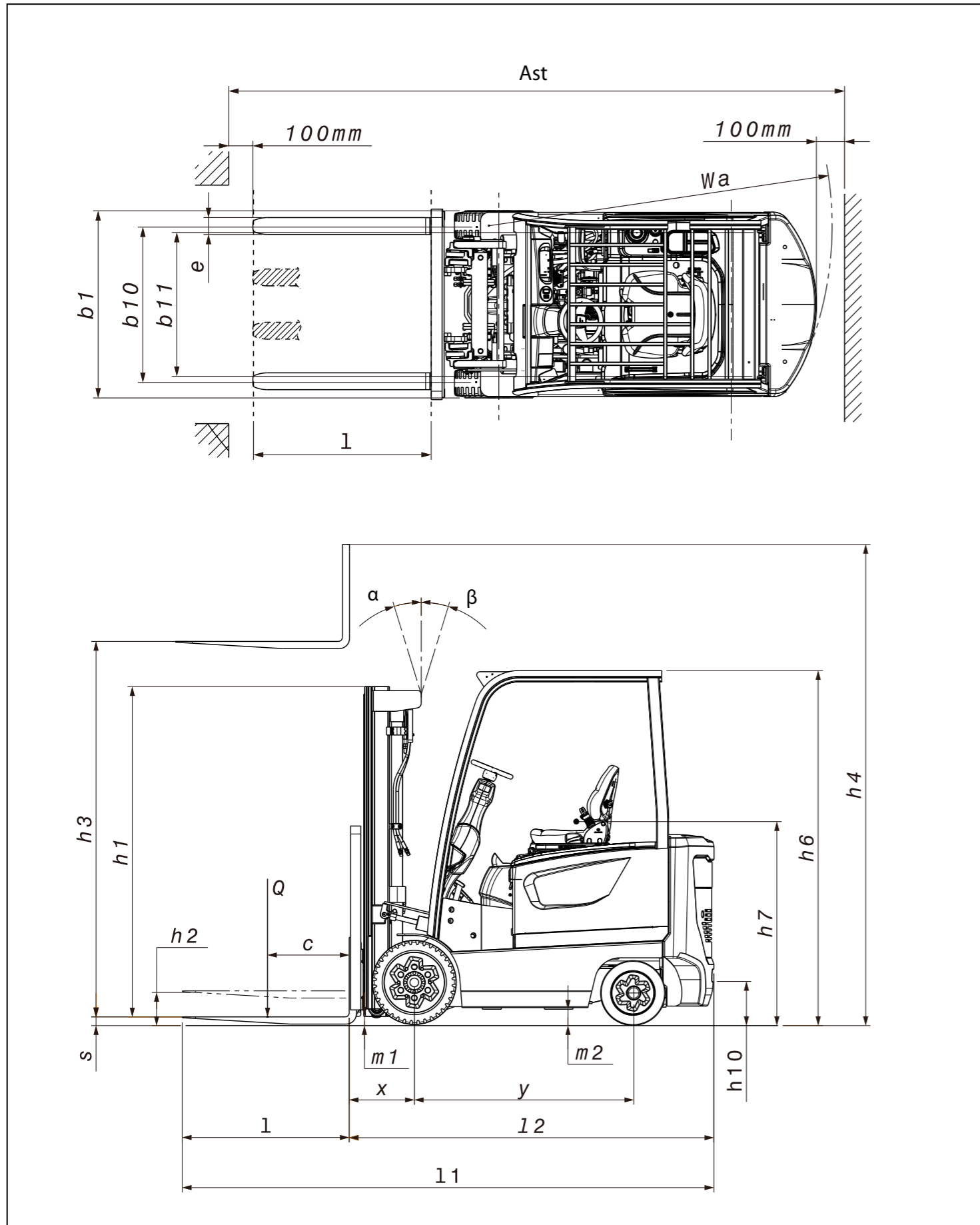
Lifting Your Dreams

GENERAL SPECIFICATION

Characteristics	1.1	Manufacturer			DOOSAN
	1.2	Model			BC20S-7
	1.3	Drive			Electric
	1.4	Operator type			Seated
	1.5	Load capacity	Q	kg	2000
	1.6	Load center	c	mm	500
	1.8	Load distance (LMC)	x	mm	405
	1.9	Wheelbase	y	mm	1280
	Weights	2.1	Service weight (with min. weight of battery)		kg
2.2		Axle loading, loaded front/rear		kg	5584/585
2.3		Axle loading, unloaded front/rear		kg	1998/2171
Wheels & Tires	3.1	Tires: pneumatic (P), superelastic (SE), cushion (C)			C
	3.2	Tire size, front			21x7x15
	3.3	Tire size, rear			16x6x10.5
	3.5	Wheels, number front/rear (x=driven wheels)			2x/2
	3.6	Tread width, front	b10	mm	932
	3.7	Tread width, rear	b11	mm	902
Basic dimensions	4.1	Tilt of mast forward / backward	α / β	deg	6 / 10
	4.2	Height, mast lowered	h1	mm	2115
	4.3	Free lift	h2	mm	152
	4.4	Lift (with STD 2-stage mast)	h3	mm	3230
	4.5	Height, mast extended	h4	mm	4480
	4.7	Height to top of overhead guard	h6	mm	2210
	4.8	Seat height/stand height	h7	mm	1115
	4.12	Towing coupling height	h10	mm	300
	4.19	Overall length	l1	mm	3155
	4.20	Length to face of forks	l2	mm	2105
	4.21	Overall width	b1	mm	1110
	4.22	Fork dimensions	s / e / l	mm	40x100x1050
	4.23	Fork carriage ISO 2328. Class/type A, B			2A
	4.24	Fork carriage width		mm	973
	4.24a	Fork Spacing (min/max)		mm	297/905
	4.31	Ground clearance	m1	mm	80
	4.32	Ground clearance, centre of wheelbase	m2	mm	103
	4.34.1	Aisle width for pallets 1000 x 1200 crossways	Ast	mm	3465
	4.34.1	Aisle width for pallets 800 x 1200 lengthways	Ast	mm	3665
	4.35	External turning radius	Wa	mm	1860
4.36	Internal turning radius		mm	585	
Performance	5.1	Travel speed, loaded / unloaded		km/h	18.0/18.0
	5.2	Lift speed, loaded / unloaded		mm/s	460/640
	5.3	Lowering speed, loaded / unloaded		mm/s	500/460
	5.6	Maximum drawbar pull		N	14216
	5.8	Maximum gradeability		%	24
	5.1	Service brake			Hydraulic
		Parking brake			Auto-Electric
	Electric	6.1	Drive motor rating S2 60 minute		kW
6.2		Lifting motor rating at S3 15%		kW	18
6.3		Battery type			Lead-acid
6.3a		Battery Compartment (length x width x height)	Nominal	mm	1017x776x610
6.4		Battery voltage/nominal (max.) capacity K5		V/Ah	48 / 735
6.5		Battery weight (min/max)		kg	1040 / 1430
Others	8.1	Type of drive control unit			AC
	10.1	Operating pressure for systems / attachments	System	kPa	16600
			Attachment		15500
10.7	Sound level at the driver's ear according to EN 12 053			dB (A)	69

DOOSAN	DOOSAN	DOOSAN	DOOSAN
BC25S-7	BC25SE-7	BC30S-7	BC32S-7
Electric	Electric	Electric	Electric
Seated	Seated	Seated	Seated
2500	2500	3000	3200
500	500	500	500
405	406	406	406
1280	1380	1380	1380
4739	4631	4995	5237
6493/746	6444/688	7177/817	7461/976
2010/2728	2105/2526	1971/3024	1907/3330
C	C	C	C
21x7x15	21x7x15	21x8x15	21x8x15
16x6x10.5	16x6x10.5	16x6x10.5	16x6x10.5
2x/2	2x/2	2x/2	2x/2
932	932	907	907
902	902	902	902
6 / 10	6 / 10	6 / 10	6 / 10
2115	2115	2115	2115
152	152	152	152
3230	3230	3230	3230
4480	4480	4480	4480
2210	2210	2210	2210
1115	1115	1115	1115
300	300	300	300
3172	3255	3290	3340
2122	2205	2240	2290
1110	1110	1110	1110
40x100x1050	40x100x1050	45x125x1050	45x125x1050
2A	2A	3A	3A
973	973	1025	1025
297/905	297/905	282/954	282/954
80	80	80	80
103	103	103	103
3468	3557	3578	3621
3668	3757	3778	3821
1863	1951	1972	2015
585	595	595	595
18.0/18.0	18.0/18.0	18.0/18.0	18.0/18.0
400/640	400/640	350/630	350/630
500/460	500/460	500/460	500/460
14216	14216	14216	14216
21	21	18	18
Hydraulic	Hydraulic	Hydraulic	Hydraulic
Auto-Electric	Auto-Electric	Auto-Electric	Auto-Electric
16	16	16	16
18	18	18	18
Lead-acid	Lead-acid	Lead-acid	Lead-acid
1017x776x610	1017x876x610	1017x876x610	1017x876x610
48 / 735	48 / 840	48 / 840	48 / 840
1270 / 1430	1270 / 1755	1360 / 1755	1360 / 1755
AC	AC	AC	AC
19300	19300	21100	21100
15500	15500	15500	15500
69	69	69	69

DIMENSIONAL DRAWING



MAST SPECIFICATIONS and RATED CAPACITIES

BC20S-7, BC25S-7, BC25SE-7

Mast Type	Maximum Fork Height	Fully Lowered Height	Fully Extended Height	Free Lift	Rated Load Capacities					
					BC20S-7			BC25S-7 & BC25SE-7		
					Tilt Angle		Load Capacities	Tilt Angle		Load Capacities
					FWD	BWD	LC500mm	FWD	BWD	LC500mm
mm	mm	mm	mm	deg	deg	kg	deg	deg	kg	
STD	2580	1790	3830	147	6	10	2000	6	10	2500
	2950	1975	4200	147	6	10	2000	6	10	2500
	3230	2115	4480	147	6	10	2000	6	10	2500
	3500	2365	4755	147	6	8	2000	6	8	2500
	3800	2515	5055	147	6	8	2000	6	8	2500
	3950	2590	5205	147	6	8	2000	6	8	2500
	4350	2790	5605	147	6	8	2000	6	8	2425
FF	4960	3090	6205	147	6	8	1925	6	8	2300
	2580	1790	3830	585	6	8	2000	6	8	2500
	2950	1975	4200	770	6	5	2000	6	5	2500
	3230	2115	4480	910	6	5	2000	6	5	2500
FFT	3600	2365	4855	1160	6	5	2000	6	5	2500
	3900	1815	5155	610	6	5	2000	6	5	2500
	4290	1950	5560	745	6	5	2000	6	5	2425
	4730	2090	5980	885	6	5	2000	6	5	2325
	5560	2440	6805	1235	6	5	1825	6	5	2175
	6010	2590	7255	1385	6	5	1750	6	3	2075

BC30S-7, BC32S-7

Mast Type	Maximum Fork Height	Fully Lowered Height	Fully Extended Height	Free Lift	Rated Load Capacities					
					BC30S-7			BC32S-7		
					Tilt Angle		Load Capacities	Tilt Angle		Load Capacities
					FWD	BWD	LC500mm	FWD	BWD	LC500mm
mm	mm	mm	mm	deg	deg	kg	deg	deg	kg	
STD	2030	1515	3280	152	6	10	3000	6	5	3200
	2580	1790	3830	152	6	10	3000	6	5	3200
	2950	1975	4200	152	6	10	3000	6	10	3200
	3230	2115	4480	152	6	10	3000	6	10	3200
	3500	2365	4755	152	6	8	3000	6	5	3200
	3800	2515	5055	152	6	8	3000	6	8	3200
	3950	2590	5205	152	6	8	3000	6	8	3200
	4350	2790	5605	152	6	8	3000	6	8	3200
FF	4960	3090	6205	152	6	5	2850	6	3	3100
	2580	1790	3830	590	6	8	3000	6	8	3200
	2950	1975	4200	775	6	5	3000	6	5	3200
	3230	2115	4480	915	6	5	3000	6	5	3200
FFT	3600	2365	4855	1165	6	5	3000	6	5	3200
	3900	1840	5155	640	6	5	2900	6	5	3150
	4290	1975	5560	775	6	5	2900	6	5	3150
	4730	2115	5980	915	6	5	2900	6	5	3150
	5560	2465	6805	1265	6	5	2700	6	5	2500
	6010	2615	7255	1415	6	3	2475	6	3	2350



Doosan Industrial Vehicle Europe nv
 Europark-Noord 36A
 9100 Sint-Niklaas
 Belgium
 Tel.: +32 3 760 09 87
 Fax: +32 3 760 09 89
 Website: www.doosan-iv.eu

AUTHORIZED DEALER