

MAST SPECIFICATION and RATED CAPACITIES

B7oNX

Mast Type	Max. Fork Height mm	Mast Lowered Height mm	Extended Height w/ Load Backrest mm	Free Lift w/ Load Backrest mm	Rated Load Capacities		
					Tilt Angle		Load capacities LC 600mm kg
					Fwd deg	Bwd deg	
STD	3,300	2,715	4,535	-	5	7	7,000
	3,600	2,865	4,835	-	5	7	7,000
	4,000	3,065	5,235	-	5	7	7,000
	4,500	3,315	5,735	-	5	7	6,750
	5,000	3,565	6,235	-	4	5	6,250
	5,500	3,815	6,735	-	4	5	5,750
FFT	4,500	2,530	5,505	1,485	4	5	6,800
	5,100	2,730	6,105	1,685	4	5	6,100
	5,400	2,830	6,405	1,785	4	5	5,750
	6,000	3,030	7,005	1,985	3	4	5,050
	6,600	3,230	7,605	2,185	3	3	4,350
	6,900	3,330	7,905	2,285	3	3	4,000

B8oNX

Mast Type	Max. Fork Height mm	Mast Lowered Height mm	Extended Height w/ Load Backrest mm	Free Lift w/ Load Backrest mm	Rated Load Capacities		
					Tilt Angle		Load capacities LC 600mm kg
					Fwd deg	Bwd deg	
STD	3,300	2,900	4,550	-	5	8	8,000
	3,600	3,050	4,850	-	5	8	8,000
	4,000	3,250	5,250	-	5	8	8,000
	4,500	3,500	5,750	-	5	8	7,750
	5,000	3,750	6,250	-	4	6	7,250
	5,500	4,000	6,750	-	4	6	6,750
FFT	4,500	2,730	5,720	1,480	4	5	7,300
	5,000	2,920	6,290	1,670	4	5	6,950
	5,500	3,080	6,770	1,830	4	5	6,600
	6,000	3,250	7,280	2,000	3	4	5,550
	6,500	3,400	7,730	2,150	3	4	5,200
	7,000	3,600	8,330	2,350	3	3	4,850

Note: These load capacities are based on the standard chassis without side shifter. Specification values quoted in this specification sheet has been rounded. Performance may vary due to operation conditions. Products and specifications are subject to improvement and change without prior notices.

B60NX -220923V1EN (September 2022)

Doosan Industrial Vehicle Europe nv
 Europark-Noord 36A
 9100 Sint-Niklaas
 Belgium
 Tel.: +32 3 760 09 87
 Fax: +32 3 760 09 89
 Website: www.doosan-iv.eu

Authorized Dealer

DOOSAN

DOOSAN

B60NX / B70NX / B80NX

NX-SERIES FORKLIFTS

Electric 6.0 to 8.0 ton capacity

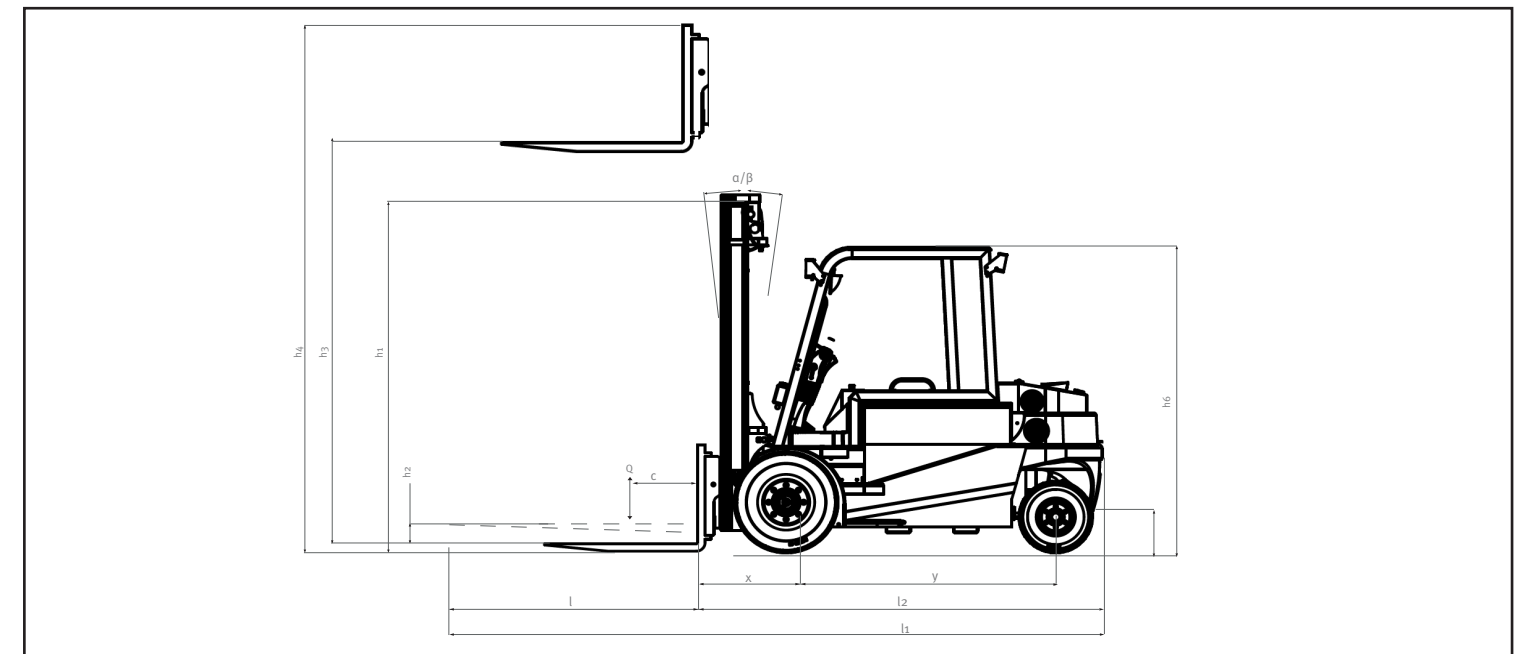


Technical Data according to VDI 2198

CHARACTERISTICS	1.1	Manufacturer			Doosan	Doosan	Doosan
	1.2	Model			B6oNX	B7oNX	B8oNX
	1.3	Power unit			Battery	Battery	Battery
	1.4	Operator Type			driver seated	driver seated	driver seated
	1.5	Load Capacity/rated load	Q	kg	6,000	7,000	8,000
	1.6	Load Center	c	mm	600	600	600
	1.8	Load Distance, center of drive axle to fork	x	mm	650	650	650
	1.9	Wheelbase	y	mm	2,110	2,210	2,310
	WEIGHT	2.1	Service Weight (with min. weight of battery)		kg	10,530	11,430
2.2		Axle loading, loaded, front/rear		kg	14,854/1,675	16,539/1,891	18,829/2,031
2.3		Axle loading, unloaded, front/rear		kg	5,300/5,230	5,580/5,850	6,500/6,360
TYRES	3.1	Tires : pneumatic (P), superelastic (SE), cushion (C)			SE	SE	SE
	3.2	Tyre size, Front			355/65-15	355/65-15	400/60-15
	3.3	Tyre size, Rear			23X9-10	23X9-10	23X10-12 HL
	3.5	Wheels, number Front/Rear (x = driven wheels)			2X/2	2X/2	2X/2
	3.6	Tread, Front	b11	mm	1,235/1,422	1,235/1,422	1,318/1,422
	3.7	Tread, Rear	b12	mm	1,150	1,150	1,160
DIMENSIONS	4.1	Tilt of Mast/Fork carriage Forward/Backward	α/β	°	5/8	5/8	5/8
	4.2	Height, Mast lowered	h1	mm	2,715	2,715	2,900
	4.4	Lift Height	h3	mm	3,300	3,300	3,300
	4.5	Height, Mast Extended	h4	mm	4,325	4,535	4,550
	4.7	Height of Overhead Guard	h6	mm	2,465	2,465	2,465
	4.8	Height of Seat	h7	mm	1,415	1,415	1,415
	4.19	Overall Length	l1	mm	4,325	4,425	4,525
	4.20	Length to Forkface	l2	mm	3,125	3,225	3,325
	4.21	Overall Width	b1/b2	mm	1,535/1,900	1,535/1,900	1,650/1,900
	4.22	Fork Dimensions	s/e/l	mm	60X150X1200	60X150X1200	60X200X1200
	4.23	Fork carriage ISO 2328 (FEM), TPSL, TWSL			PPF - FEM4	PPF - FEM4	PPF - FEM4
	4.24	Fork carriage width	b3	mm	1,400	1,400	1,400
	4.31	Ground Clearance, unloaded, below mast	m1	mm	180	180	180
	4.32	Ground Clearance, center of wheelbase	m2	mm	210	210	210
	4.33	Aisle width for pallets 1.000 X 1.200 crossways	Ast	mm	4,865	5,065	5,365
	4.35	External Turning Radius	Wa	mm	2,715	2,915	3,215
4.36	Minimum pivoting point distance	a/2	mm	150	150	150	
PERFORMANCE DATA	5.1	Travel Speed, loaded/unloaded		km/h	12/12	12/12	12/12
	5.2	Lift Speed, loaded/unloaded		mm/s	280/320	250/320	220/260
	5.3	Lowering Speed, loaded/unloaded		mm/s	400/300	400/300	400/300
	5.8	Max. Gradeability, loaded/unloaded		%	17/18	15/17	13/16
	5.10	Service brake			hydraulic	hydraulic	hydraulic
ELECTRIC ENGINE	6.1	Drive motor S2 60 min		kW	12.5 X 2	12.5 X 2	12.5 X 2
	6.2	Lift motor rating at S3 15%		kW	26	26	26
	6.4	Battery voltage, nominal capacity K5		V/Ah	80/930-1,085	80/930-1,085	80/930-1,085
	6.5	Battery weight		kg	2,555	2,555	2,555
ADDITION DATA	8.1	Type of drive control			electronic in AC	electronic in AC	electronic in AC
	8.2	Operating pressure		bar	150	170	150
	8.3	Max oil flow for attachments		l/min	80	80	80
	8.4	Noise level at operators ear		dB	70	70	70

Note: Specification values quoted in this specification sheet have been rounded. Performance may vary depending on operating conditions. Products and specifications are subject to improvement and change without prior notice.

Dimensional Drawing



MAST SPECIFICATION and RATED CAPACITIES

B6oNX

Mast Type	Max. Fork Height mm	Mast Lowered Height mm	Extended Height w/ Load Backrest mm	Free Lift w/ Load Backrest mm	Rated Load Capacities		
					Tilt Angle		Load capacities LC 600mm kg
					Fwd deg	Bwd deg	
STD	3,300	2,715	4,365	-	5	7	6,000
	3,600	2,865	4,665	-	5	7	6,000
	4,000	3,065	5,065	-	5	7	6,000
	4,500	3,315	5,565	-	5	7	6,000
	5,000	3,565	6,065	-	4	5	5,500
FFT	5,500	3,815	6,565	-	4	5	5,000
	4,500	2,530	5,505	1,485	4	5	5,800
	5,000	2,730	6,105	1,685	4	5	5,200
	5,500	2,830	6,405	1,785	4	5	4,900
	6,000	3,030	7,005	1,985	3	4	4,300
	6,500	3,230	7,605	2,185	3	3	3,700
	7,000	3,330	7,905	2,285	3	3	3,400

Note: These load capacities are based on the standard chassis without side shifter. Specification values quoted in this specification sheet has been rounded. Performance may vary due to operation conditions. Products and specifications are subject to improvement and change without prior notices.