

MAST SPECIFICATIONS and RATED CAPACITIES

B15T-7 Plus

| Mast type | Maximum fork height | Fully lowered height | Fully extended height | | Free lift | | Rated load capacities | | | | | |
|-----------|---------------------|----------------------|-----------------------|-----------------------|--------------------|-----------------------|-----------------------|-------|-----------|---------------------|-------|-----------|
| | | | with load backrest | without load backrest | with load backrest | without load backrest | Single solid tire | | | Single cushion tire | | |
| | | | | | | | Tilt angle | | Load cap. | Tilt angle | | Load cap. |
| | | | | | | | FWD | BWD | LC 500 mm | FWD | BWD | LC 500 mm |
| mm | mm | mm | mm | mm | mm | deg | deg | kg | deg | deg | kg | |
| STD | 3,000 | 2,000 | 4,045 | 3,600 | 130 | 130 | 5 | 7 | 1,500 | 5 | 7 | 1,500 |
| | 3,300 | 2,150 | 4,345 | 3,900 | 130 | 130 | 5 | 7 | 1,500 | 5 | 7 | 1,500 |
| | 3,500 | 2,250 | 4,545 | 4,100 | 130 | 130 | 5 | 7 | 1,500 | 5 | 7 | 1,500 |
| | 3,700 | 2,350 | 4,745 | 4,300 | 130 | 130 | 5 | 7 | 1,500 | 5 | 7 | 1,500 |
| | 4,000 | 2,550 | 5,045 | 4,600 | 130 | 130 | 5 | 7 | 1,500 | 5 | 7 | 1,500 |
| 4,500 | 2,800 | 5,545 | 5,100 | 130 | 130 | 5 | 7 | 1,425 | 5 | 7 | 1,450 | |
| FF | 2,700 | 1,850 | 3,745 | 3,325 | 845 | 1,265 | 5 | 5 | 1,500 | 5 | 5 | 1,500 |
| | 3,000 | 2,000 | 4,045 | 3,625 | 995 | 1,415 | 5 | 5 | 1,500 | 5 | 5 | 1,500 |
| | 3,300 | 2,150 | 4,345 | 3,925 | 1,145 | 1,565 | 5 | 5 | 1,500 | 5 | 5 | 1,500 |
| FFT | 4,000 | 1,880 | 5,050 | 4,630 | 875 | 1,295 | 5 | 5 | 1,450 | 5 | 5 | 1,475 |
| | 4,500 | 2,045 | 5,545 | 5,125 | 1,040 | 1,460 | 5 | 5 | 1,400 | 5 | 5 | 1,425 |
| | 4,750 | 2,130 | 5,795 | 5,375 | 1,125 | 1,545 | 5 | 5 | 1,350 | 5 | 5 | 1,375 |
| | 5,000 | 2,245 | 6,045 | 5,625 | 1,240 | 1,660 | 5 | 5 | 1,300 | 5 | 5 | 1,350 |
| | 5,500 | 2,480 | 6,550 | 6,130 | 1,475 | 1,895 | 5 | 5 | 975 | 5 | 5 | 1,275 |
| | 6,000 | 2,645 | 7,045 | 6,625 | 1,640 | 2,060 | 5 | 5 | 650 | 5 | 5 | 1,225 |

B18T-7 Plus

| Mast type | Maximum fork height | Fully lowered height | Fully extended height | | Free lift | | Rated load capacities | | | | | |
|-----------|---------------------|----------------------|-----------------------|-----------------------|--------------------|-----------------------|-----------------------|-------|-----------|---------------------|-------|-----------|
| | | | with load backrest | without load backrest | with load backrest | without load backrest | Single solid tire | | | Single cushion tire | | |
| | | | | | | | Tilt angle | | Load cap. | Tilt angle | | Load cap. |
| | | | | | | | FWD | BWD | LC 500 mm | FWD | BWD | LC 500 mm |
| mm | mm | mm | mm | mm | mm | deg | deg | kg | deg | deg | kg | |
| STD | 3,000 | 2,000 | 4,045 | 3,600 | 130 | 130 | 5 | 7 | 1,750 | 5 | 7 | 1,750 |
| | 3,300 | 2,150 | 4,345 | 3,900 | 130 | 130 | 5 | 7 | 1,750 | 5 | 7 | 1,750 |
| | 3,500 | 2,250 | 4,545 | 4,100 | 130 | 130 | 5 | 7 | 1,750 | 5 | 7 | 1,750 |
| | 3,700 | 2,350 | 4,745 | 4,300 | 130 | 130 | 5 | 7 | 1,750 | 5 | 7 | 1,750 |
| | 4,000 | 2,550 | 5,045 | 4,600 | 130 | 130 | 5 | 7 | 1,750 | 5 | 7 | 1,750 |
| 4,500 | 2,800 | 5,545 | 5,100 | 130 | 130 | 5 | 7 | 1,650 | 5 | 7 | 1,650 | |
| FF | 2,700 | 1,850 | 3,745 | 3,325 | 845 | 1,265 | 5 | 5 | 1,750 | 5 | 5 | 1,750 |
| | 3,000 | 2,000 | 4,045 | 3,625 | 995 | 1,415 | 5 | 5 | 1,750 | 5 | 5 | 1,750 |
| | 3,300 | 2,150 | 4,345 | 3,925 | 1,145 | 1,565 | 5 | 5 | 1,750 | 5 | 5 | 1,750 |
| FFT | 4,000 | 1,880 | 5,050 | 4,630 | 875 | 1,295 | 5 | 5 | 1,675 | 5 | 5 | 1,700 |
| | 4,500 | 2,045 | 5,545 | 5,125 | 1,040 | 1,460 | 5 | 5 | 1,600 | 5 | 5 | 1,650 |
| | 4,750 | 2,130 | 5,795 | 5,375 | 1,125 | 1,545 | 5 | 5 | 1,525 | 5 | 5 | 1,625 |
| | 5,000 | 2,245 | 6,045 | 5,625 | 1,240 | 1,660 | 5 | 5 | 1,400 | 5 | 5 | 1,575 |
| | 5,500 | 2,480 | 6,550 | 6,130 | 1,475 | 1,895 | 5 | 5 | 1,025 | 5 | 5 | 1,500 |
| | 6,000 | 2,645 | 7,045 | 6,625 | 1,640 | 2,060 | 5 | 5 | 700 | 5 | 5 | 1,400 |

B20T-7 Plus

| Mast type | Maximum fork height | Fully lowered height | Fully extended height | | Free lift | | Rated load capacities | | | | | |
|-----------|---------------------|----------------------|-----------------------|-----------------------|--------------------|-----------------------|-----------------------|-------|-----------|---------------------|-------|-----------|
| | | | with load backrest | without load backrest | with load backrest | without load backrest | Single solid tire | | | Single cushion tire | | |
| | | | | | | | Tilt angle | | Load cap. | Tilt angle | | Load cap. |
| | | | | | | | FWD | BWD | LC 500 mm | FWD | BWD | LC 500 mm |
| mm | mm | mm | mm | mm | mm | deg | deg | kg | deg | deg | kg | |
| STD | 3,000 | 2,000 | 4,050 | 3,605 | 135 | 135 | 5 | 7 | 2,000 | 5 | 7 | 2,000 |
| | 3,300 | 2,150 | 4,350 | 3,905 | 135 | 135 | 5 | 7 | 2,000 | 5 | 7 | 2,000 |
| | 3,500 | 2,250 | 4,550 | 4,105 | 135 | 135 | 5 | 7 | 2,000 | 5 | 7 | 2,000 |
| | 3,700 | 2,350 | 4,750 | 4,305 | 135 | 135 | 5 | 7 | 2,000 | 5 | 7 | 2,000 |
| | 4,000 | 2,550 | 5,050 | 4,605 | 135 | 135 | 5 | 7 | 2,000 | 5 | 7 | 2,000 |
| 4,500 | 2,800 | 5,550 | 5,105 | 135 | 135 | 5 | 7 | 1,950 | 5 | 7 | 2,000 | |
| FF | 2,700 | 1,850 | 3,750 | 3,330 | 845 | 1,265 | 5 | 5 | 2,000 | 5 | 5 | 2,000 |
| | 3,000 | 2,000 | 4,050 | 3,630 | 995 | 1,415 | 5 | 5 | 2,000 | 5 | 5 | 2,000 |
| | 3,300 | 2,150 | 4,350 | 3,930 | 1,145 | 1,565 | 5 | 5 | 2,000 | 5 | 5 | 2,000 |
| FFT | 4,000 | 1,880 | 5,055 | 4,635 | 875 | 1,295 | 5 | 5 | 1,950 | 5 | 5 | 2,000 |
| | 4,500 | 2,045 | 5,550 | 5,130 | 1,040 | 1,460 | 5 | 5 | 1,875 | 5 | 5 | 1,975 |
| | 4,750 | 2,130 | 5,800 | 5,380 | 1,125 | 1,545 | 5 | 5 | 1,825 | 5 | 5 | 1,925 |
| | 5,000 | 2,245 | 6,050 | 5,630 | 1,240 | 1,660 | 5 | 5 | 1,800 | 5 | 5 | 1,900 |
| | 5,500 | 2,480 | 6,555 | 6,135 | 1,475 | 1,895 | 5 | 5 | 1,700 | 5 | 5 | 1,800 |
| | 6,000 | 2,645 | 7,050 | 6,630 | 1,640 | 2,060 | 5 | 5 | 1,575 | 5 | 5 | 1,500 |

Note: These load capacities are based on the standard chassis without side shifter.

Specification values quoted in this catalog have been rounded. Products and specifications are subject to improvement and change without notice. Performance may vary due to operating conditions.

The performance shown represents nominal values obtained under typical operating conditions.

B16X-7 Plus

| Mast type | Maximum fork height | Fully lowered height | Fully extended height | | Free lift | | Rated load capacities | | | | | |
|-----------|---------------------|----------------------|-----------------------|-----------------------|--------------------|-----------------------|-----------------------|-------|-----------|----------------|-------|-----------|
| | | | with load backrest | without load backrest | with load backrest | without load backrest | Single solid tire | | | Pneumatic tire | | |
| | | | | | | | Tilt angle | | Load cap. | Tilt angle | | Load cap. |
| | | | | | | | FWD | BWD | LC 500 mm | FWD | BWD | LC 500 mm |
| mm | mm | mm | mm | mm | mm | deg | deg | kg | deg | deg | kg | |
| STD | 3,000 | 2,000 | 4,045 | 3,600 | 130 | 130 | 5 | 7 | 1,600 | 5 | 7 | 1,500 |
| | 3,300 | 2,150 | 4,345 | 3,900 | 130 | 130 | 5 | 7 | 1,600 | 5 | 7 | 1,500 |
| | 3,500 | 2,250 | 4,545 | 4,100 | 130 | 130 | 5 | 7 | 1,600 | 5 | 7 | 1,500 |
| | 3,700 | 2,350 | 4,745 | 4,300 | 130 | 130 | 5 | 7 | 1,600 | 5 | 7 | 1,500 |
| | 4,000 | 2,550 | 5,045 | 4,600 | 130 | 130 | 5 | 7 | 1,600 | 5 | 7 | 1,500 |
| 4,500 | 2,800 | 5,545 | 5,100 | 130 | 130 | 5 | 7 | 1,600 | 5 | 7 | 1,450 | |
| FF | 2,700 | 1,850 | 3,745 | 3,325 | 845 | 1,265 | 5 | 5 | 1,600 | 5 | 5 | 1,500 |
| | 3,000 | 2,000 | 4,045 | 3,625 | 995 | 1,415 | 5 | 5 | 1,600 | 5 | 5 | 1,500 |
| | 3,300 | 2,150 | 4,345 | 3,925 | 1,145 | 1,565 | 5 | 5 | 1,600 | 5 | 5 | 1,500 |
| FFT | 4,000 | 1,880 | 5,050 | 4,630 | 875 | 1,295 | 5 | 5 | 1,600 | 5 | 5 | 1,475 |
| | 4,500 | 2,045 | 5,545 | 5,125 | 1,040 | 1,460 | 5 | 5 | 1,550 | 5 | 5 | 1,425 |
| | 4,750 | 2,130 | 5,795 | 5,375 | 1,125 | 1,545 | 5 | 5 | 1,500 | 5 | 5 | 1,375 |
| | 5,000 | 2,245 | 6,045 | 5,625 | 1,240 | 1,660 | 5 | 5 | 1,450 | 5 | 5 | 1,350 |
| | 5,500 | 2,480 | 6,550 | 6,130 | 1,475 | 1,895 | 5 | 5 | 1,350 | 5 | 5 | 1,275 |
| 6,000 | 2,645 | 7,045 | 6,625 | 1,640 | 2,060 | 5 | 5 | 1,250 | 5 | 5 | 1,225 | |

B18X-7 Plus

| Mast type | Maximum fork height | Fully lowered height | Fully extended height | | Free lift | | Rated load capacities | | | | | |
|-----------|---------------------|----------------------|-----------------------|-----------------------|--------------------|-----------------------|-----------------------|-------|-----------|----------------|-------|-----------|
| | | | with load backrest | without load backrest | with load backrest | without load backrest | Single solid tire | | | Pneumatic tire | | |
| | | | | | | | Tilt angle | | Load cap. | Tilt angle | | Load cap. |
| | | | | | | | FWD | BWD | LC 500 mm | FWD | BWD | LC 500 mm |
| mm | mm | mm | mm | mm | mm | deg | deg | kg | deg | deg | kg | |
| STD | 3,000 | 2,000 | 4,045 | 3,600 | 130 | 130 | 5 | 7 | 1,800 | 5 | 7 | 1,750 |
| | 3,300 | 2,150 | 4,345 | 3,900 | 130 | 130 | 5 | 7 | 1,800 | 5 | 7 | 1,750 |
| | 3,500 | 2,250 | 4,545 | 4,100 | 130 | 130 | 5 | 7 | 1,800 | 5 | 7 | 1,750 |
| | 3,700 | 2,350 | 4,745 | 4,300 | 130 | 130 | 5 | 7 | 1,800 | 5 | 7 | 1,750 |
| | 4,000 | 2,550 | 5,045 | 4,600 | 130 | 130 | 5 | 7 | 1,800 | 5 | 7 | 1,750 |
| 4,500 | 2,800 | 5,545 | 5,100 | 130 | 130 | 5 | 7 | 1,700 | 5 | 7 | 1,650 | |
| FF | 2,700 | 1,850 | 3,745 | 3,325 | 845 | 1,265 | 5 | 5 | 1,800 | 5 | 5 | 1,750 |
| | 3,000 | 2,000 | 4,045 | 3,625 | 995 | 1,415 | 5 | 5 | 1,800 | 5 | 5 | 1,750 |
| | 3,300 | 2,150 | 4,345 | 3,925 | 1,145 | 1,565 | 5 | 5 | 1,800 | 5 | 5 | 1,750 |
| FFT | 4,000 | 1,880 | 5,050 | 4,630 | 875 | 1,295 | 5 | 5 | 1,800 | 5 | 5 | 1,700 |
| | 4,500 | 2,045 | 5,545 | 5,125 | 1,040 | 1,460 | 5 | 5 | 1,750 | 5 | 5 | 1,650 |
| | 4,750 | 2,130 | 5,795 | 5,375 | 1,125 | 1,545 | 5 | 5 | 1,600 | 5 | 5 | 1,625 |
| | 5,000 | 2,245 | 6,045 | 5,625 | 1,240 | 1,660 | 5 | 5 | 1,550 | 5 | 5 | 1,575 |
| | 5,500 | 2,480 | 6,550 | 6,130 | 1,475 | 1,895 | 5 | 5 | 1,475 | 5 | 5 | 1,500 |
| | 6,000 | 2,645 | 7,045 | 6,625 | 1,640 | 2,060 | 5 | 5 | 1,350 | 5 | 5 | 1,400 |

B20X-7 Plus

| Mast type | Maximum fork height | Fully lowered height | Fully extended height | | Free lift | | Rated load capacities | | | | | |
|-----------|---------------------|----------------------|-----------------------|-----------------------|--------------------|-----------------------|-----------------------|-----|-----------|----------------|-----|-----------|
| | | | with load backrest | without load backrest | with load backrest | without load backrest | Single solid tire | | | Pneumatic tire | | |
| | | | | | | | Tilt angle | | Load cap. | Tilt angle | | Load cap. |
| | | | | | | | FWD | BWD | LC 500 mm | FWD | BWD | LC 500 mm |
| mm | mm | mm | mm | mm | mm | deg | deg | kg | deg | deg | kg | |
| STD | 3,000 | 2,000 | 4,050 | 3,605 | 135 | 135 | 5 | 7 | 2,000 | 5 | 7 | 2,000 |
| | 3,300 | 2,150 | 4,350 | 3,905 | 135 | 135 | 5 | 7 | 2,000</ | | | |

Technical Data according to VDI 2198

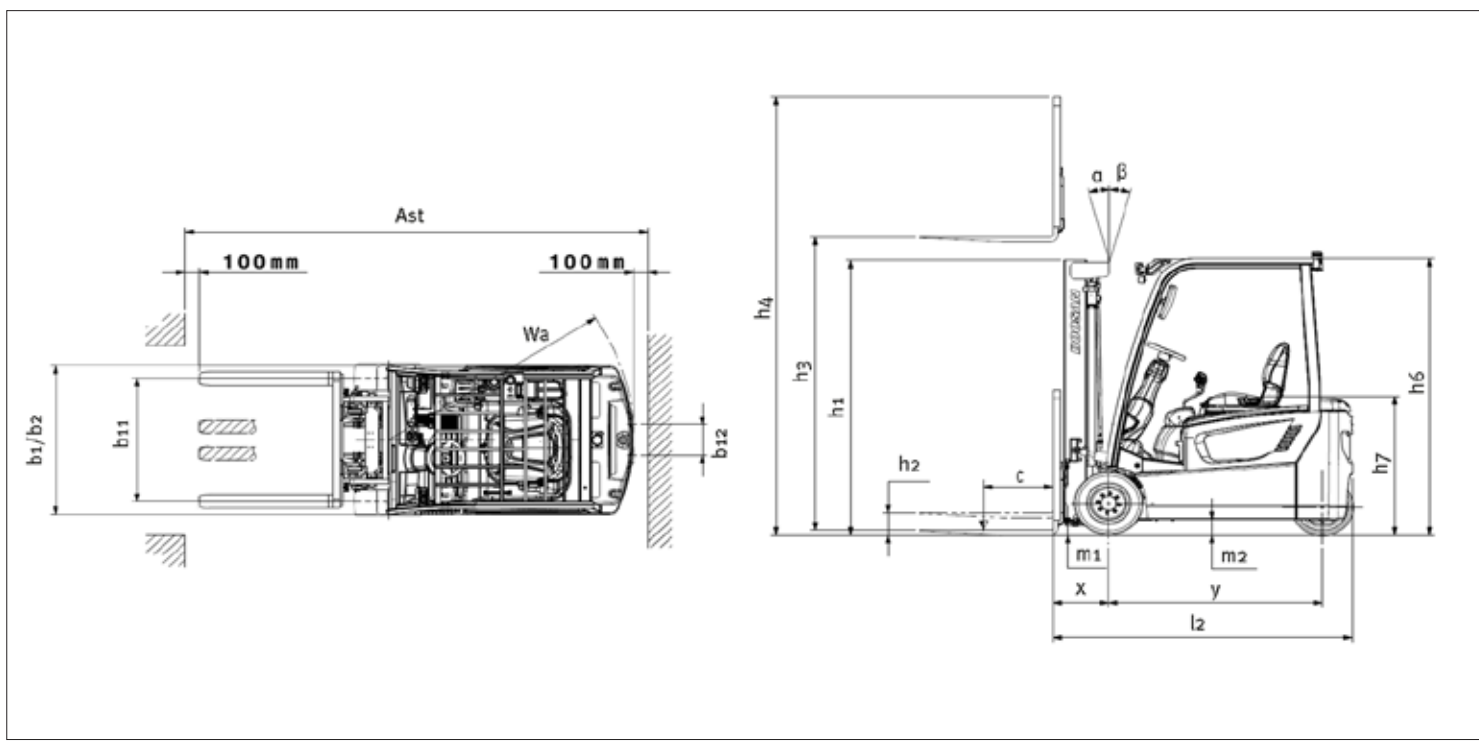
| CHARACTERISTICS | 1.1 Manufacturer | | Doosan | Doosan |
|---|--|------------|---------------|-----------------------|
| | | | | B15T-7 Plus |
| | | | AC Electric | AC Electric |
| | | | driver seated | driver seated |
| | 1.5 Load Capacity/rated load | Q | kg | 1,500 |
| | 1.6 Load Center | c | mm | 500 |
| | 1.8 Load Distance, center of drive axle to fork | x | mm | 376 |
| | 1.9 Wheelbase | y | mm | 1,323 |
| WEIGHT | 2.1 Service Weight (with min. weight of battery) | | kg | 3,028 |
| | 2.2 Axle loading, loaded, front/rear | | kg | 3,988/540 |
| | 2.3 Axle loading, unloaded, front/rear | | kg | 1,495/1,533 |
| TYRES | 3.1 Tyres: pneumatic (P), solid (E), cushion (C) | | | E/C |
| | 3.2 Tyre size, Front | | | 18X7-8 ¹ |
| | 3.3 Tyre size, Rear | | | 15X4.5-8 ² |
| | 3.5 Wheels, number Front/Rear (x = driven wheels) | | | 2X/2 |
| | 3.6 Tread, Front | b11 | mm | 902 |
| | 3.7 Tread, Rear | b12 | mm | 167 |
| | | | | |
| DIMENSIONS | 4.1 Tilt of Mast/Fork carriage Forward/Backward | α/β | ° | 5/7 |
| | 4.2 Height, Mast lowered | h1 | mm | 2,000 |
| | 4.3 Free Lift | h2 | mm | 130 |
| | 4.4 Lift Height | h3 | mm | 3,300 |
| | 4.5 Height, Mast Extended | h4 | mm | 4,345 |
| | 4.7 Height of Overhead Guard | h6 | mm | 2,010 |
| | 4.8 Height of Seat | h7 | mm | 919 |
| | 4.19 Overall Length | l1 | mm | 2,791 |
| | 4.20 Length to Forkface | l2 | mm | 1,891 |
| | 4.21 Overall Width | b1/b2 | mm | 1,090 |
| | 4.22 Fork Dimensions | s/e/l | mm | 35 X 100 X 900 |
| | 4.23 Fork carriage ISO 2328. class | | | II |
| | 4.24 Fork carriage width | b3 | mm | 973 |
| | 4.24a Fork spacing | | | 240 / 905 |
| | 4.31 Ground Clearance, loaded, below mast | m1 | mm | 86 |
| | 4.32 Ground Clearance, center of wheelbase | m2 | mm | 100 |
| | 4.33 Aisle width for pallets 1.000 X 1.200 crossways | Ast | mm | 3,216 |
| 4.34 Aisle width for pallets 800 X 1.200 lengthways | Ast | mm | 3,341 | |
| 4.35 External Turning Radius | Wa | mm | 1,515 | |
| 4.36 Internal Turning Radius | b13 | mm | 0 | |
| PERFORMANCE DATA | 5.1 Travel Speed, loaded/unloaded | | km/h | 17/17 |
| | 5.2 Lift Speed, loaded/unloaded | | mm/s | 400/600 |
| | 5.3 Lowering Speed, loaded/unloaded | | mm/s | 500/450 |
| | 5.6 Max. Drawbar pull, loaded | | N | 12,749 |
| | 5.8 Max. Gradeability, loaded | | % | 26 |
| | 5.10 Service brake | | | foot-electric |
| | Parking brake | | | auto-electric |
| ELECTRIC ENGINE | 6.1 Drive motor S2 60 min | | kW | 6.0 X 2 |
| | 6.2 Lift motor rating at S3 15% | | kW | 14 |
| | 6.3 Battery Compartment | | mm | 528 X 992 X 698 |
| | 6.4 Battery voltage, nominal capacity K5 | | V/Ah | 48/440 |
| | 6.5 Battery weight | | kg | 700 |
| ADDITION DATA | 8.1 Type of drive control | | | MOSFET Inverter |
| | 8.2 Operating pressure for attachments | System | bar | 176 |
| | | Attachment | | 140 |

Note: Specification values quoted in this specification sheet have been rounded. Performance may vary depending on operating conditions. Products and specifications are subject to improvement and change without prior notice.

| Doosan | Doosan | Doosan | Doosan |
|------------------------|---------------------|-----------------|-----------------|
| B20T-7 Plus | B16X-7 Plus | B18X-7 Plus | B20X-7 Plus |
| AC Electric | AC Electric | AC Electric | AC Electric |
| driver seated | driver seated | driver seated | driver seated |
| 2,000 | 1,600 | 1,800 | 2,000 |
| 500 | 500 | 500 | 500 |
| 381 | 376 | 376 | 381 |
| 1,446 | 1,495 | 1,495 | 1,495 |
| 3,472 | 3,189 | 3,281 | 3,461 |
| 4,841/631 | 4,235/553 | 4,551/530 | 4,871/590 |
| 1,623/1,849 | 1,689/1,491 | 1,696/1,585 | 1,692/1,769 |
| E/C | P/E | E | E |
| 200X50-10 ¹ | 18X7-8 ¹ | 200X50-10 | 200X50-10 |
| 2X/2 | 2X/2 | 2X/2 | 2X/2 |
| 912 | 902 | 912 | 912 |
| 201 | 890 | 890 | 890 |
| 5/7 | 5/7 | 5/7 | 5/7 |
| 2,000 | 2,150 | 2,150 | 2,150 |
| 135 | 130 | 130 | 135 |
| 3,300 | 3,300 | 3,300 | 3,300 |
| 4,350 | 4,345 | 4,345 | 4,350 |
| 2,010 | 2,010 | 2,010 | 2,010 |
| 919 | 919 | 919 | 919 |
| 2,929 | 3,020 | 3,020 | 3,025 |
| 2,029 | 2,120 | 2,120 | 2,125 |
| 1,119 | 1,090 | 1,119 | 1,119 |
| 40 X 100 X 900 | 35 X 100 X 900 | 35 X 100 X 900 | 40 X 100 X 900 |
| II | II | II | II |
| 973 | 973 | 973 | 973 |
| 240/905 | 240/905 | 240/905 | 240/905 |
| 86 | 86 | 86 | 86 |
| 100 | 100 | 100 | 100 |
| 3,354 | 3,466 | 3,466 | 3,471 |
| 3,479 | 3,662 | 3,662 | 3,667 |
| 1,648 | 1,886 | 1,886 | 1,886 |
| 0 | 494 | 496 | 496 |
| 17/17 | 17/17 | 17/17 | 17/17 |
| 400/600 | 400/600 | 400/600 | 400/600 |
| 500/450 | 500/450 | 500/450 | 500/450 |
| 12,749 | 12,749 | 12,749 | 12,749 |
| 24 | 26 | 25 | 24 |
| foot-electric | foot-electric | foot-electric | foot-electric |
| auto-electric | auto-electric | auto-electric | auto-electric |
| 6.0 X 2 | 6.0 X 2 | 6.0 X 2 | 6.0 X 2 |
| 14 | 14 | 14 | 14 |
| 638 X 992 X 698 | 638 X 992 X 698 | 638 X 992 X 698 | 638 X 992 X 698 |
| 48/585 | 48/585 | 48/585 | 48/585 |
| 1,000 | 1,050 | 1,050 | 1,050 |
| MOSFET Inverter | MOSFET inverter | MOSFET inverter | MOSFET inverter |
| 216 | 199 | 199 | 199 |
| 140 | 140 | 140 | 140 |

¹ Optional: cushion tires 18X7 - 12.12
² Optional: cushion tires 15X6 - 11.25

DIMENSIONAL DRAWING - 3-wheel



DIMENSIONAL DRAWING - 4-wheel

