

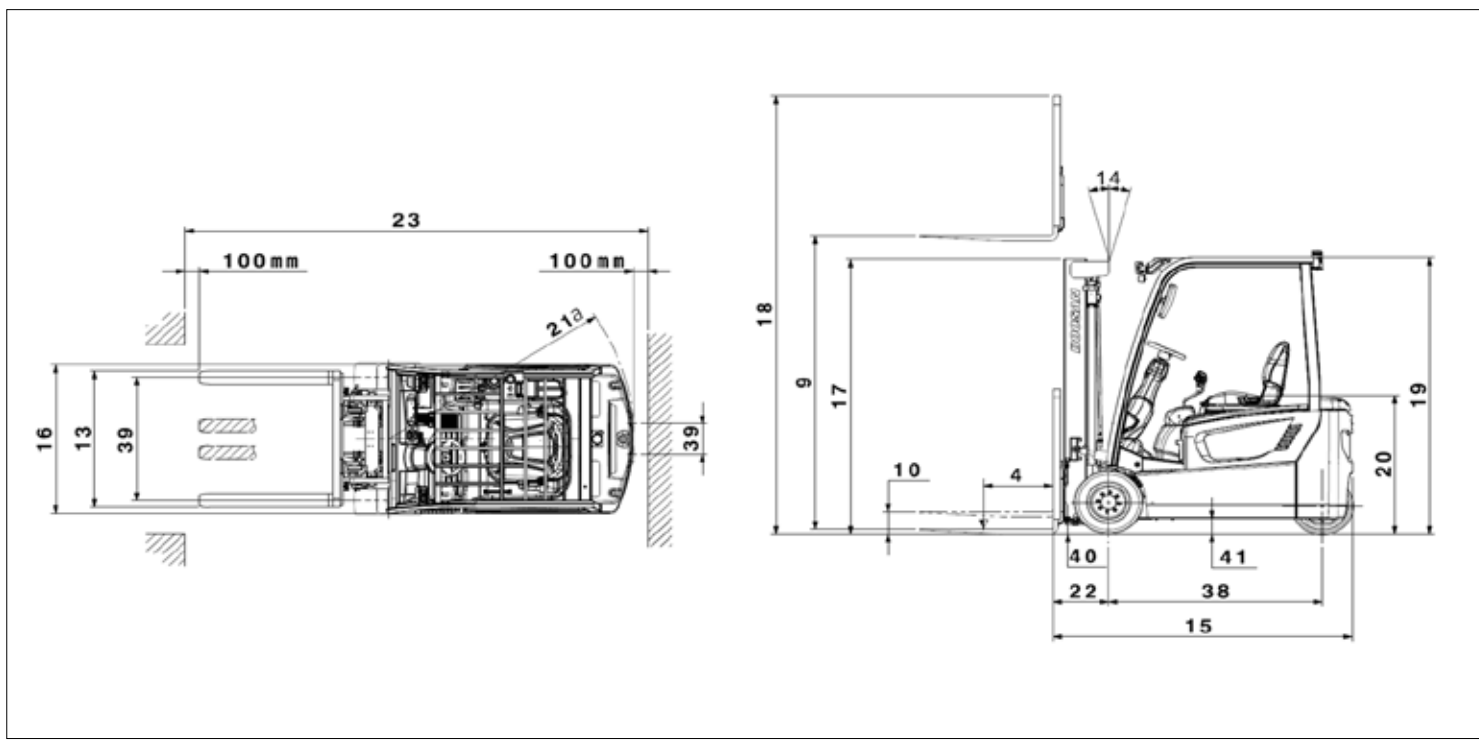
Technical Data according to VDI 2198

CHARACTERISTICS	1.1		Manufacturer	Doosan	Doosan
	1.2		Model	B15T-7	B18T-7
	1.3		Drive	AC Electric	AC Electric
	1.4		Operator Type	Driver Seated	Driver Seated
	1.5		Load Capacity/rated load	Q	kg
	1.6		Load Center	c	mm
	1.8		Load Distance, center of drive axle to fork	x	mm
	1.9		Wheelbase	y	mm
	WEIGHT	2.1		Service Weight	3,028
2.2		Axle loading, loaded, front/rear	3,988/540	4,358/534	
2.3		Axle loading, unloaded, front/rear	1,495/1,533	1,530/1,612	
TYRES	3.1		Tyres: pneumatic (P). solid (E), cushion (C)	E/C	E/C
	3.2		Tyre size. Front	18x7-8 (1)	18x7-8 (1)
	3.3		Tyre size. Rear	15x4.5-8 (2)	15x4.5-8 (2)
	3.5		Wheels. number Front/Rear (x = driven wheels)	2x/2	2x/2
	3.6		Tread. Front	b11	mm
	3.7		Tread. Rear	b12	mm
DIMENSIONS	4.1		Tilt of Mast/Fork carriage Forward/Backward	α/β	°
	4.2		Height. Mast lowered	h1	mm
	4.3		Free Lift	h2	mm
	4.4		Lift Height	h3	mm
	4.5		Height. Mast Extended	h4	mm
	4.7		Height of Overhead Guard (Cabin)	h6	mm
	4.8		Height of Seat	h7	mm
	4.19		Overall Length	l1	mm
	4.20		Length to Forkface	l2	mm
	4.21		Overall Width	b1/b2	mm
	4.22		Fork Dimensions	s/e/l	mm
	4.23		Fork carriage ISO 2328. class	II	II
	4.24		Fork carriage width	b3	mm
4.31		Ground Clearance. loaded. below mast	m1	mm	
4.32		Ground Clearance. center of wheelbase	m2	mm	
4.33		Aisle width for pallets 1.000 x 1.200 crossways	Ast	mm	
4.34		Aisle width for pallets 800 x 1.200 lengthways	Ast	mm	
4.35		External Turning Radius	Wa	mm	
4.36		Internal Turning Radius	b13	mm	
PERFORMANCE DATA	5.1		Travel Speed. loaded/unloaded	17/17	17/17
	5.2		Lift Speed. loaded/unloaded	0.4/0.6	0.4/0.6
	5.3		Lowering Speed. loaded/unloaded	0.50/0.45	0.50/0.45
	5.6		Max. Drawbar pull. loaded	N	12,749
	5.8		Max. Gradeability. loaded	%	26/25
5.10		Service Brake		hydraulic	
ELECTRIC ENGINE	6.1		Drive motor S2 60 min	6.0 x 2	6.0 x 2
	6.2		Lift motor rating at S3 15%	14	14
	6.3		Battery Compartment	528 x 992 x 698	638 x 992 x 698
	6.4		Battery voltage, nominal capacity K5	V/Ah	48/440
	6.5		Battery weight	kg	700
ADDITION DATA	8.1		Type of drive control	MOSFET Inverter	MOSFET Inverter
	8.2		Operating pressure for attachments	bar	140

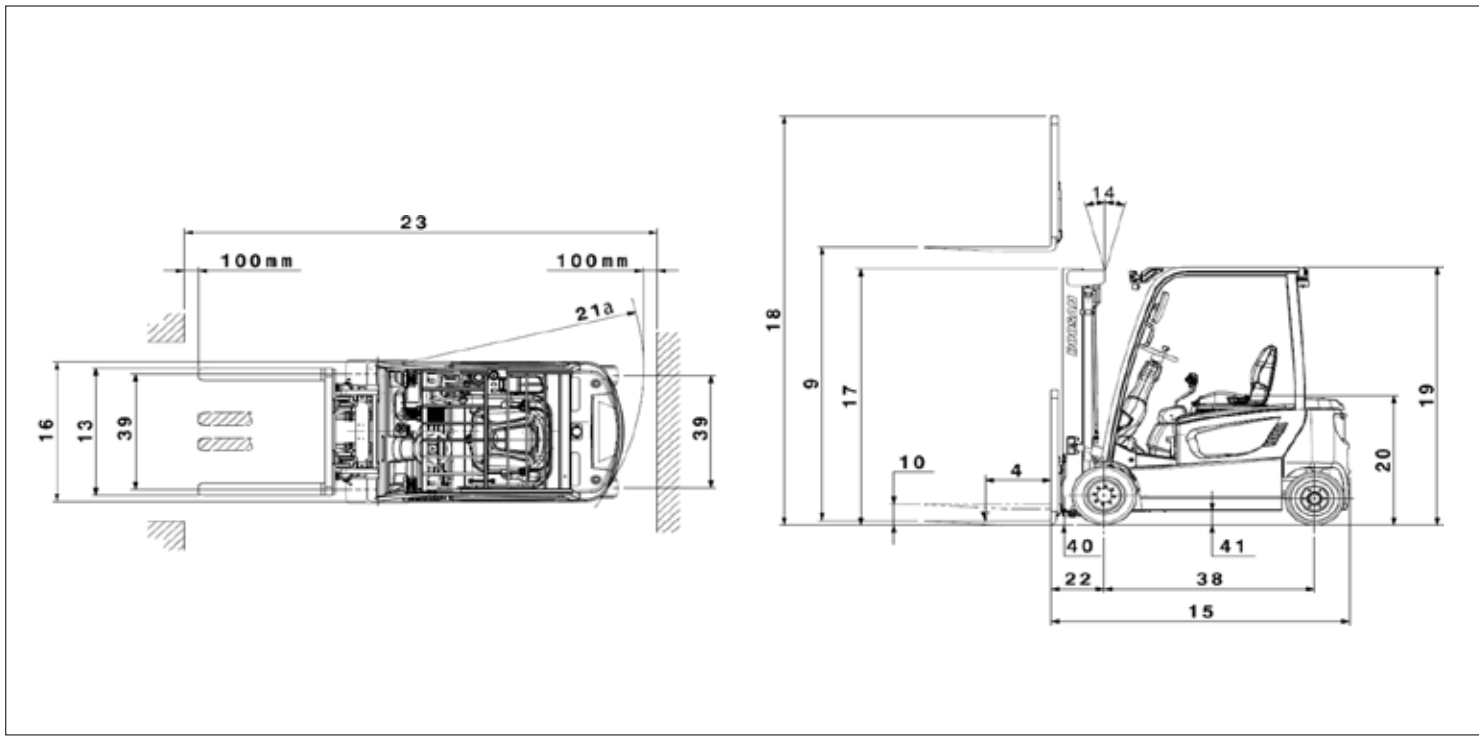
Doosan	Doosan	Doosan	Doosan	Doosan	Doosan
B18TL-7	B20T-7	B20TL-7	B16X-7	B18X-7	B20X-7
AC Electric	AC Electric	AC Electric	AC Electric	AC Electric	AC Electric
Driver Seated	Driver Seated	Driver Seated	Driver Seated	Driver Seated	Driver Seated
1,750	2,000	2,000	1,600	1,800	2,000
500	500	500	500	500	500
376	381	381	376	376	381
1,554	1,446	1,554	1,495	1,495	1,495
3,333	3,472	3,333	3,189	3,281	3,461
4,372/712	4,841/631	4,769/564	4,235/553	4,551/530	4,871/590
1,635/1,698	1,623/1,849	1,635/1,698	1,689/1,491	1,696/1,585	1,692/1,769
E/C	E/C	E/C	P/E	E	E
18x7-8 (1)	200x50-10 (1)	200x50-10 (1)	18x7-8 (3)	200x50-10	200x50-10
15x4.5-8 (2)	16x6-8 (2)	16x6-8 (2)	16x6-8 (2)	16x6-8	16x6-8
2x/2	2x/2	2x/2	2x/2	2x/2	2x/2
902	912	912	902	912	912
167	201	201	890	890	890
5/7	5/7	5/7	5/7	5/7	5/7
2,150	2,150	2,150	2,150	2,150	2,150
130	135	135	130	130	135
3,300	3,300	3,300	3,300	3,300	3,300
4,345	4,350	4,350	4,345	4,345	4,350
2,010	2,010	2,010	2,010	2,010	2,010
919	919	919	919	919	919
3,032	2,929	3,037	3,020	3,020	3,025
2,132	2,029	2,137	2,120	2,120	2,125
1,090	1,119	1,119	1,090	1,119	1,119
35 x 100 x 900	40 x 100 x 900	40 x 100 x 900	35 x 100 x 900	35 x 100 x 900	40 x 100 x 900
II	II	II	II	II	II
973	973	973	973	973	973
86	86	86	86	86	86
100	100	100	100	100	100
3,457	3,354	3,462	3,466	3,466	3,471
3,582	3,479	3,587	3,665	3,665	3,670
1,756	1,648	1,756	1,886	1,886	1,886
-	-	-	494	496	496
17/17	17/17	17/17	17/17	17/17	17/17
0.4/0.6	0.4/0.6	0.4/0.6	0.4/0.6	0.4/0.6	0.4/0.6
0.50/0.45	0.50/0.45	0.50/0.45	0.50/0.45	0.50/0.45	0.50/0.45
12,749	12,749	12,749	12,749	12,749	12,749
25/	24/	24/	26/	25/	24/
hydraulic	hydraulic	hydraulic	hydraulic	hydraulic	hydraulic
6.0 x 2	6.0 x 2	6.0 x 2	6.0 x 2	6.0 x 2	6.0 x 2
14	14	14	14	14	14
746 x 992 x 698	638 x 992 x 698	746 x 992 x 698	638 x 992 x 698	638 x 992 x 698	638 x 992 x 698
48/600	48/585	48/600	48/585	48/585	48/585
1,000	1,000	1,000	1,050	1,050	1,050
MOSFET Inverter	MOSFET Inverter	MOSFET Inverter	MOSFET Inverter	MOSFET Inverter	MOSFET Inverter
140	140	140	140	140	140

(1) optional: cushion Tyres 18x7 - 12.12
 (2) optional: cushion Tyres 15 x 6 - 11.25
 (3) optional: pneumatic Tyres

DIMENSIONAL DRAWING - 3-wheel



DIMENSIONAL DRAWING - 4-wheel



Note: Specification values quoted in this specification sheet have been rounded. Performance may vary depending on operating conditions. Products and specifications are subject to improvement and change without prior notice.